

QST BAS C

QUEST Tap Range

Quest Basin Mixer With Clicker Waste Chrome



Specification

| | |
|-----------------------------------|-----------------------------------|
| Product Type: | Taps |
| Main Construction Material: | Brass |
| Mount Type: | Deck |
| Handle Type: | Lever |
| Connection Inlet: | M10 x265mm Copper Tails |
| Connection Outlet: | M20 Flow Straightener |
| Number of Tap Holes: | 1 |
| Valve/Cartridge Type: | 35mm Flat Cartridge |
| Plumbing System Requirements: | Suitable for all plumbing systems |
| Minimum Dynamic Pressure (bar): | 0.2 bar |
| Maximum Dynamic Pressure (bar): | 5 bar |
| Maximum Hot Water Temperature °C: | 65°C |
| Maximum Static Pressure (bar): | 10 bar |
| Flow Type: | Single |
| Isolation Included: | No |

Features:

- Long life ceramic cartridge for added durability and ease of use
- Metal fixing nut for added durability
- Easy to use metal handle
- Includes clicker waste

Product Certifications:



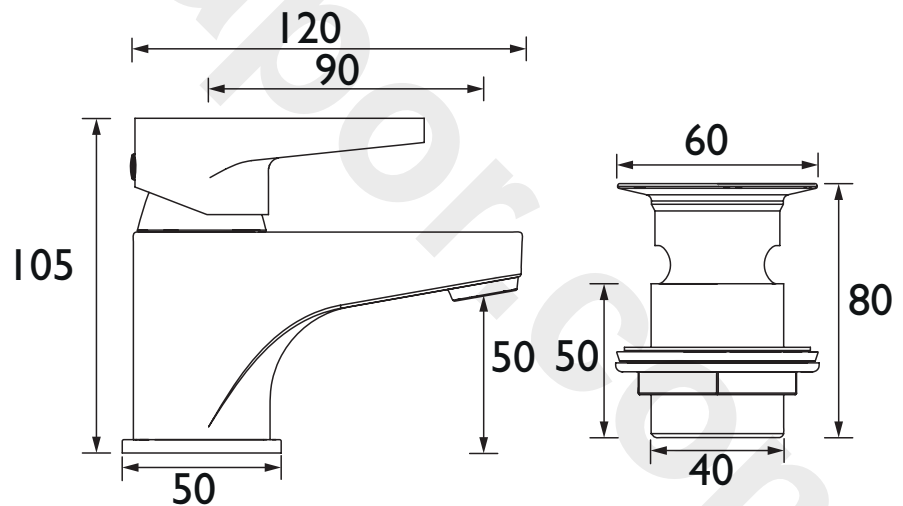
WRAS Certificate No: 2006910
WRAS Expiry Date: 30/06/2025



For more products, visit our website:
<http://www.bristan.com>



Dimensions (measurements in mm)



Flow Rates (l/min)

| System Pressure (bar) | 0.2 | 0.5 | 1 | 2 | 3 | 5 |
|-----------------------|-----|-----|------|----|------|------|
| QST BAS C (mixed) | 6.9 | 11 | 15.5 | 22 | 26.9 | 34.7 |

TECHNICAL
DATA
SHEET



BRISTAN

D14